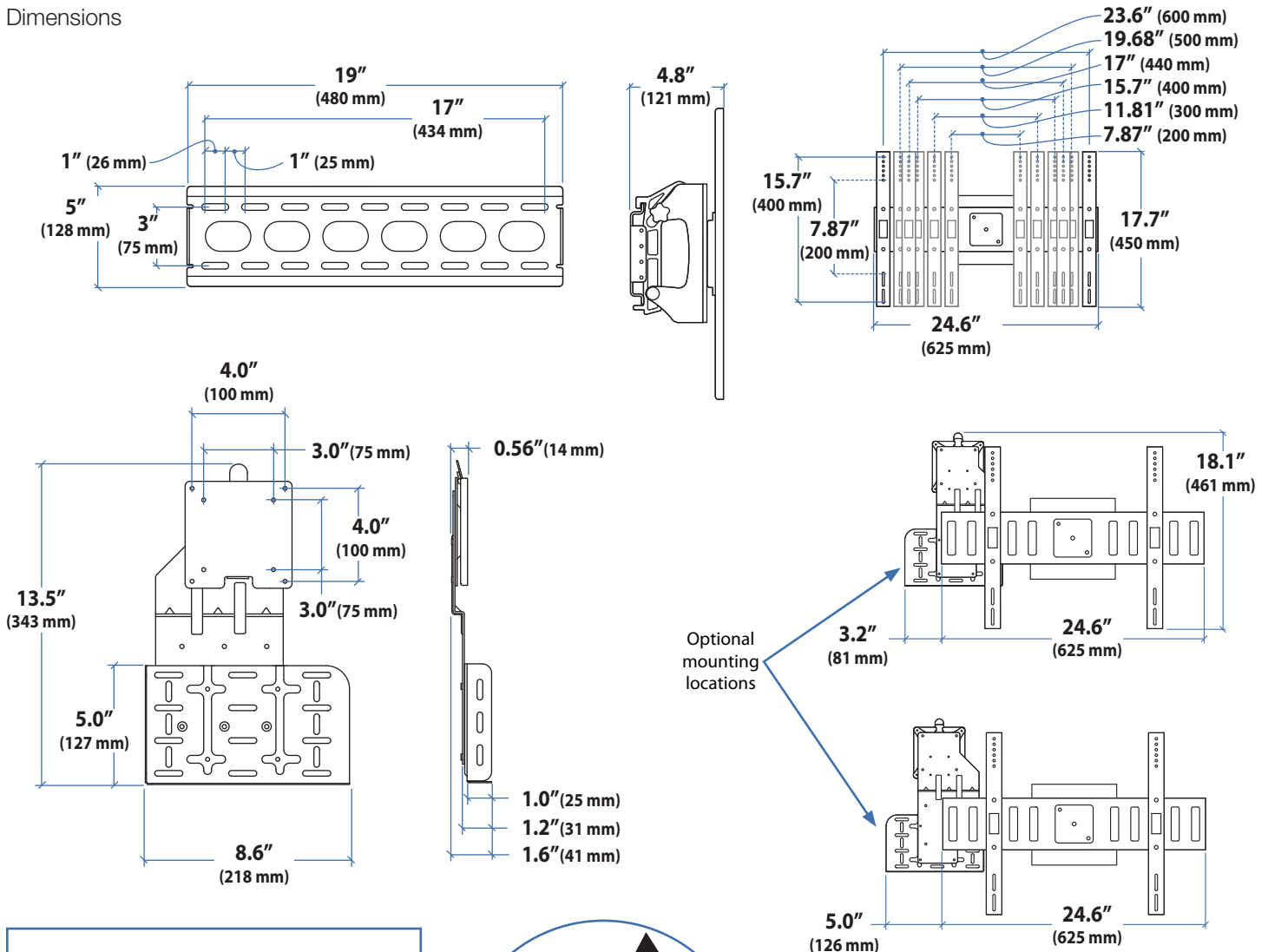


SIM90 Signage Integration Mount

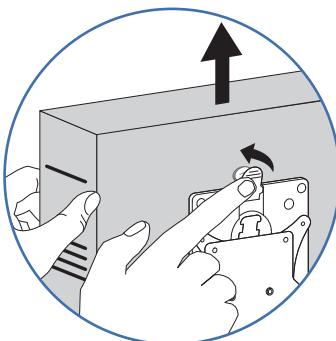
Dimensions



Maximum CPU Dimensions

4.0" (100 mm) height
 3.0" (75 mm) depth
 4.0" (100 mm) width
 ≤ 10" (254 mm) height
 ≤ 2.6" (66 mm) depth
 ≤ 13.5" (343 mm) width
 3.0" (75 mm) depth

CPU must be a VESA compliant Thin Client CPU.



Quick Release bracket for easy CPU attachment and removal. (Can be disabled for theft deterrence.)

© 2009 Ergotron, Inc. rev. 10/07/2009 DIM-SIM90 Content is subject to change without notification

Americas Sales and Corporate Headquarters

St. Paul, MN USA
 (800) 888-8458
 +1-651-681-7600
 www.ergotron.com
 sales@ergotron.com

EMEA Sales

Amersfoort, The Netherlands
 +31 33 45 45 600
 www.ergotron.com
 info.eu@ergotron.com

APAC Sale

Tokyo, Japan
 www.ergotron.com
 apaccustomerservice@ergotron.com

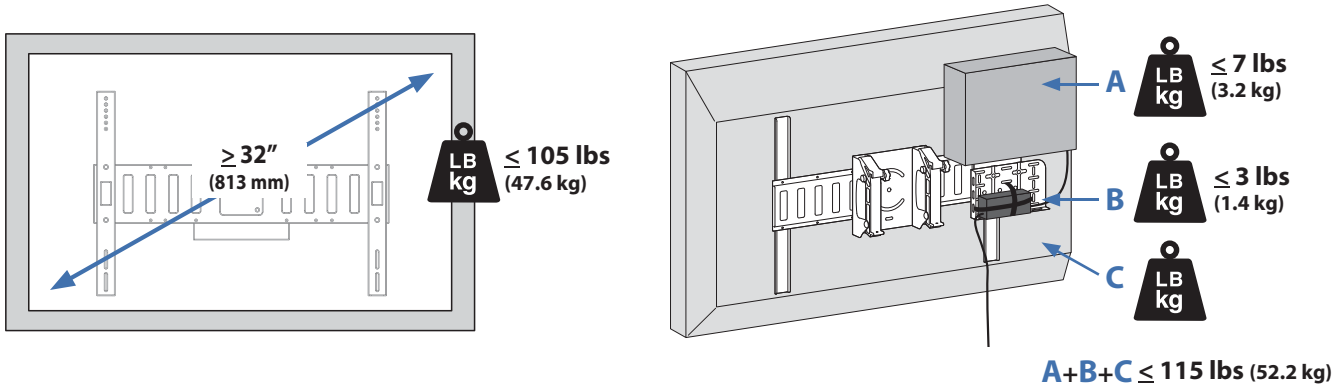
Worldwide OEM Sales

www.ergotron.com
 info.oem@ergotron.com

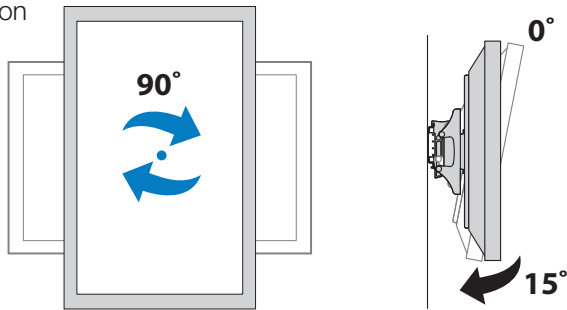


SIM90 Signage Integration Mount

Weight Capacity



Range of Motion



Americas Sales and Corporate Headquarters

St. Paul, MN USA
 (800) 888-8458
 +1-651-681-7600
 www.ergotron.com
 sales@ergotron.com

EMEA Sales

Amersfoort, The Netherlands
 +31 33 45 45 600
 www.ergotron.com
 info.eu@ergotron.com

APAC Sale

Tokyo, Japan
 www.ergotron.com
 apaccustomerservice@ergotron.com

Worldwide OEM Sales

www.ergotron.com
 info.oem@ergotron.com