



# BT8425

MEDIUM / LARGE FLAT SCREEN CEILING MOUNT WITH TILT

This Pack Contains 1 Mount

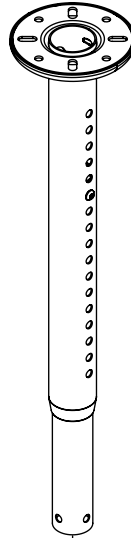
PLEASE KEEP THIS PARTS LIST FOR FUTURE REFERENCE



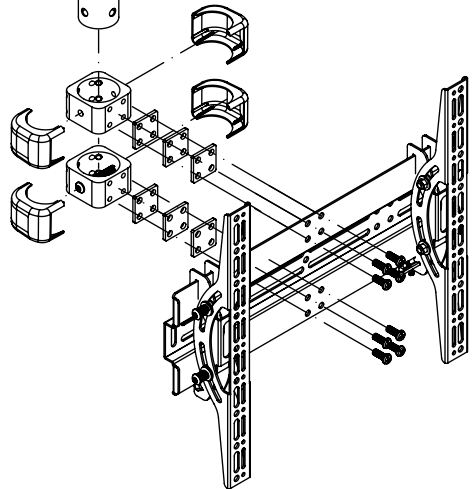
COMMUNITY DESIGN NO. 001713280-0035  
 REG DESIGN NO: 3021714, 4003650  
 PATENT APPLICATION NO: 0817023.5

## FEATURES

- Designed for flat screens up to 55" (139cm) / 35kg (77lbs)
- Fits screens with mounting patterns up to H: 465 (18.3") x V: 400mm (15.7") including screens using VESA fixings up to 400 x 400mm
- Easy tilt adjustment of interface +/- 18°
- Unique 'Torsion-Tilt' mechanism
- Supplied with safety bolt and locking bars for secure installation
- Integrated cable management
- Ceiling drop 668mm (26.3") - 943mm (37.1")



Please refer to individual instruction manuals for detailed assembly instructions



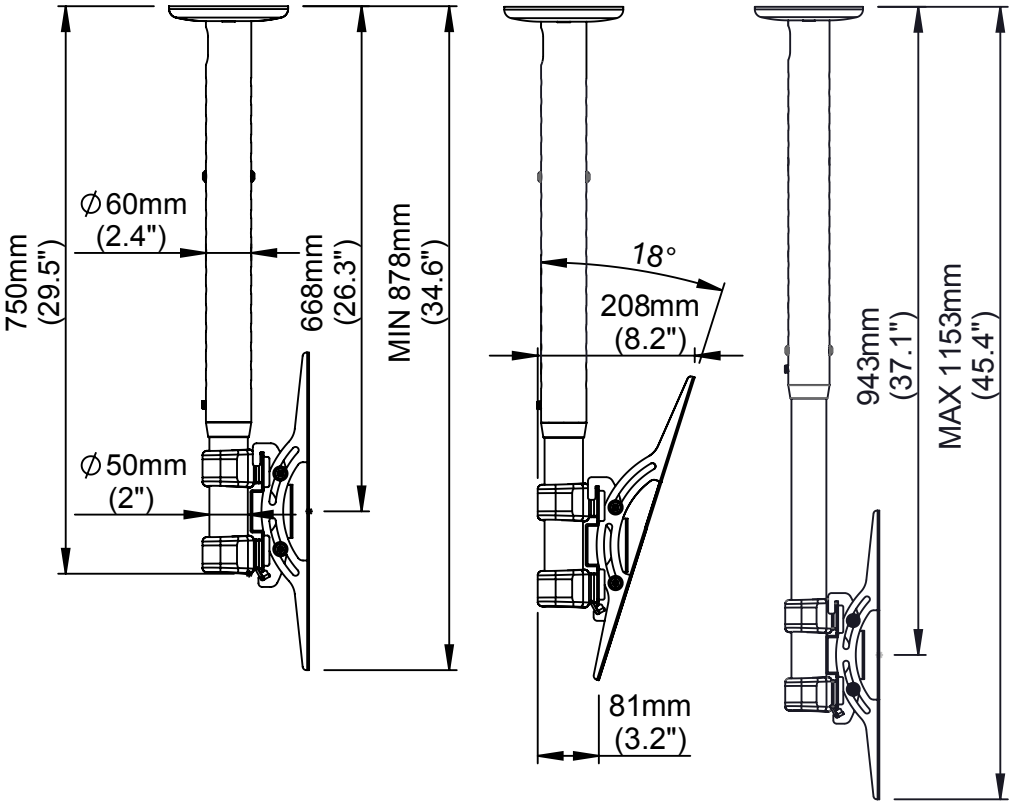
### B-TECH AUDIO VIDEO MOUNTS

**HEAD OFFICE**  
**B-Tech International Limited**  
 Bennett House, Long March, Daventry, Northants., NN11 4NR, UK  
 Email: [info@btechavmounts.co.uk](mailto:info@btechavmounts.co.uk)

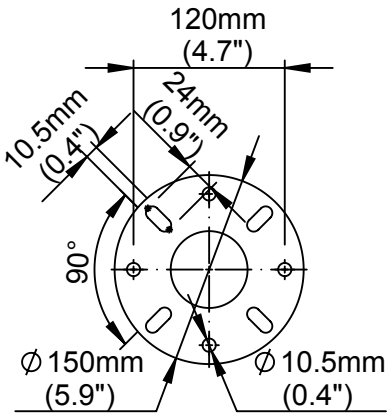
©2014 B-Tech International Limited. All rights reserved. B-Tech Audio Video Mounts is a division of B-Tech International Limited. B-Tech, Better By Design and Mountlogic are registered trademarks of B-Tech International Limited. All other brands and product names are trademarks of their respective owners. Photographs are for illustrative purposes only. ESOE, B-Tech International Ltd, its distributors and dealers are not responsible for damage or injury caused by improper installation, improper use, modifications, installations over the specified weight capacity and/or failure to observe these safety instructions. In such cases, any warranty will expire. It is recommended that this product should only be installed by a qualified professional / installer. B-Tech does not claim any liability for any difficulties that may arise from the interpretation of information contained in these instructions. Failure to mount this product correctly may lead to serious injury and/or death. Please check carefully to make sure there are no missing or defective parts - defective parts must never be used. In the event of missing and/or defective parts, or technical questions, please contact an authorised dealer.

# PRODUCT DIMENSIONS

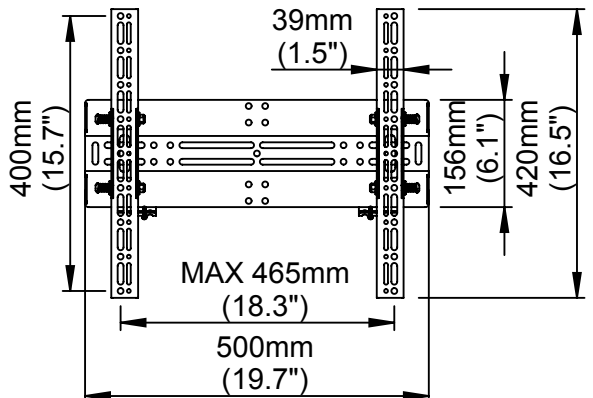
## BT8425



### CEILING PLATE



### INTERFACE MOUNT



THESE INSTRUCTIONS ARE INTENDED AS A GUIDE ONLY AND B-TECH ACCEPTS NO LIABILITY FOR THE ACCURACY OF THE INFORMATION CONTAINED IN THIS DOCUMENT.