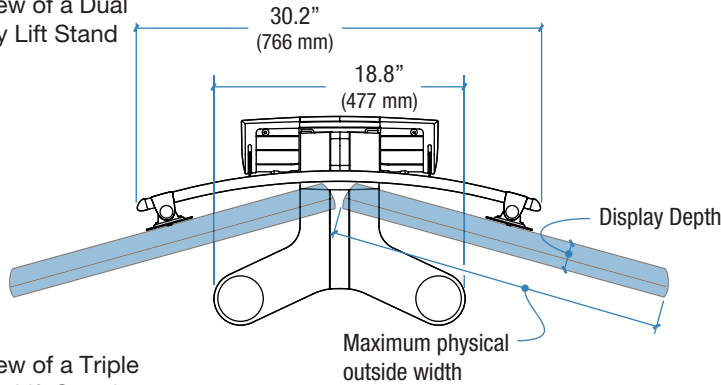


Dual and Triple Lift Stands

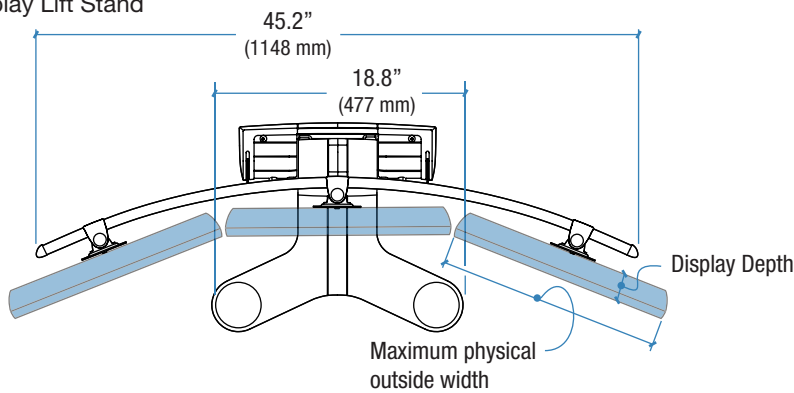
Top view of a Dual Display Lift Stand



Dual Mount Displays

Maximum Width	Depth
25.00" (635.0 mm)	2" (50.8 mm)
24.75" (628.7 mm)	3" (76.2 mm)
24.38" (619.3 mm)	4" (101.6 mm)
23.75" (603.3 mm)	5" (127.0 mm)

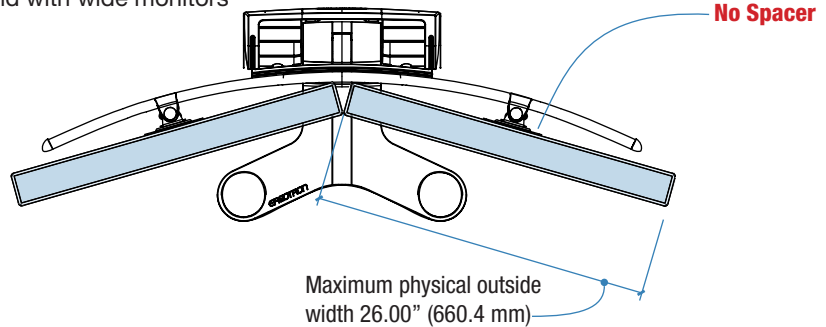
Top view of a Triple Display Lift Stand



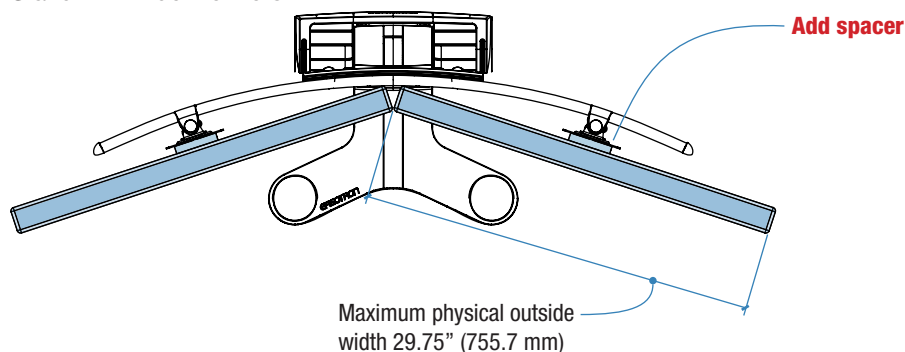
Triple Mount Displays

Maximum Width	Depth
20.25" (514.3 mm)	2" (50.8 mm)
19.75" (501.7 mm)	3" (76.2 mm)
19.25" (489.0 mm)	4" (101.6 mm)
19.00" (482.6 mm)	5" (127.0 mm)

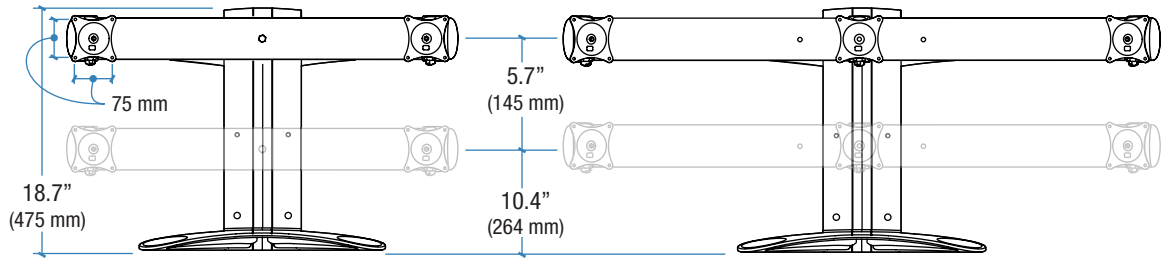
Top view of a Triple Display Lift Stand with wide monitors



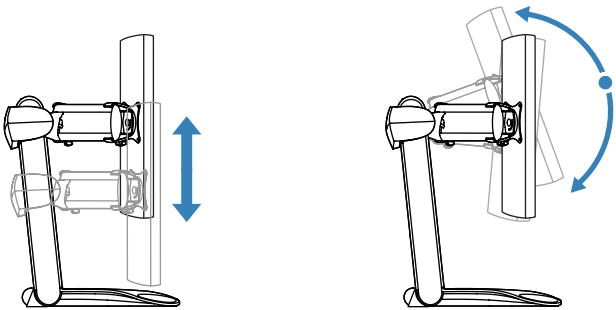
Top view of a Triple Display Lift Stand with wide monitors



Front views

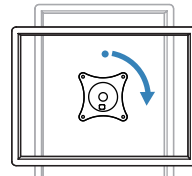


Range of Motion



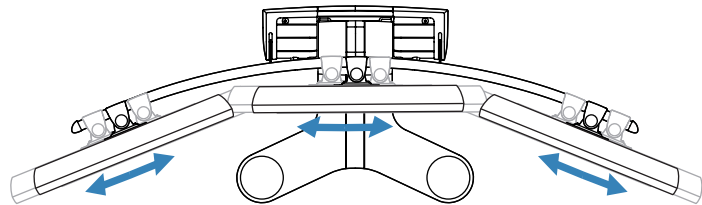
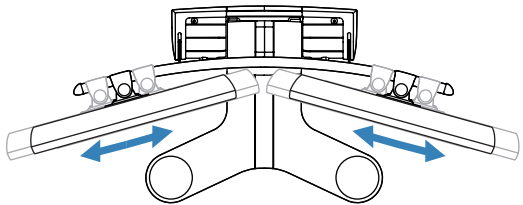
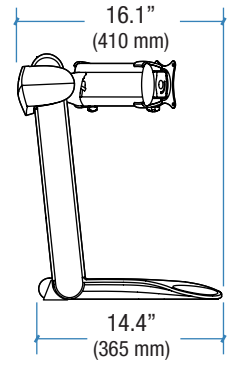
5.1" (130 mm)
height range

20° (+15/-5°)
forward/back tilt



Display rotates 90°

Side view



Side to side adjustment
accommodates different display sizes