



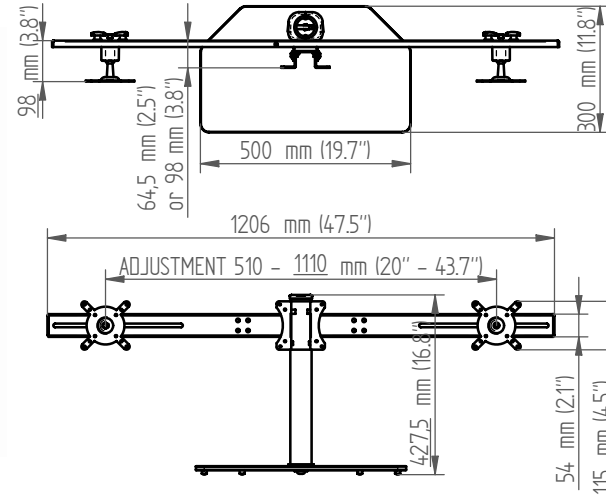
BT7333

DESK STAND KIT WITH GLASS BASE (FOR 3 SCREENS) ASSEMBLY AND INSTALLATION

This pack contains:
1 desk stand kit



Caution: This desk mount is intended for use only with the maximum weights indicated. Use with heavier than the maximum indicated may result in instability causing possible injury.



- Designed to mount 3 flat screen monitors up to 22" (widescreen) onto a desk
- The glass base is designed to hold a keyboard on top when not in use to keep the workspace tidy
- The position of the flat screens can be adjusted along the horizontal bar 510 – 1110mm (20" – 43.7")
- Suitable for flat screens with the following VESA fixings: 100x100mm, 75 x 75mm and 50 x 50mm
- Maximum load: 45Kg (99lbs), 15Kg (33lbs) per interface mount
- AViBall adjusts 37° in any direction, centre interface tilts -10°/+25°
- Pole dimensions: Ø50mm (2"), 0.4M (15.7") length
- Base dimensions: W 500mm (19.7"), D 300mm (11.8"), H 20.5 (0.8")
- Base made from 10mm (0.4") thick tempered safety glass with non-slip rubber feet
- Cable management and pole end ring included
- All fixings included



Important Safety Instructions.

Read first

Do not attempt to install this product until all instructions and warnings have been read and properly understood. Please keep these instructions for future reference. B-Tech International Limited, its distributors and dealers are not liable or responsible for damage or injury caused by improper installation, improper use or failure to observe these safety instructions. In such cases, all guarantees will expire.

General

B-Tech International Ltd recommends that a professional AV installer or other suitably qualified person install this product. Great care must always be taken during installation as most AV equipment is of a fragile nature, possibly heavy and easily damaged if dropped.

If you do not fully understand the instructions or are not sure how to install this product safely, then please consult a professional for advice and/or to install this product for you. Failure to mount this product correctly may cause serious injury or death both during installation and at any time thereafter.

Do not mount any AV equipment that exceeds the specific weight limit of the product you are installing. This weight limit will be clearly stated on each product and its packaging and will vary from product to product.

Product location

Please pay careful attention to where this product is located.

Fixing hardware

It is highly recommended that all fixing screws be used where supplied and that the purpose of all other fixing hardware is fully understood. In some cases more AV equipment fixing hardware will be supplied to accommodate different models of equipment and set up configurations.

The installer must be satisfied that any supplied fixing hardware is suitable for each specific installation. If any fixing screws or included hardware are deemed not sufficient for a safe installation then please consult a professional or your local hardware store.

Hazard limitation

When routing cables take advantage of any built in cable management features that the product might provide and ensure that all cables are tidy and secure. Check to see that any moving aspect of the product can do so unhindered by any cabling.

Some products have moving parts and the potential to cause injury through the crushing or trapping of fingers or other body parts.

Particular attention to the nature of moving parts is required especially when assembling installing and adjusting during set up.

Immediately after installations double-check that the work done is safe and secure. Double-check all necessary fixings are present and are of ample tightness.

It is recommended that periodic inspections of the product and its fixing points are made as frequently as possible to ensure that safety is maintained. In if doubt consult a professional AV installer or other suitably qualified person.

Head Office

B-Tech International Ltd.

Bennett House, Long March, Daventry, Northants NN11 4NR, UK
Tel: +44 (0)1327 300 787 Fax: +44 (0)1327 706 562
Email: info@btechavmounts.co.uk

Europe

B-Tech PRO-AV bvba

Brixtonlaan 32, Zaventem 1930, Brussels, Belgium
Tel: +32 (0)2 720 92 71 Fax: +32 (0)2 725 42 15
Email: info@btechproav.com

North America

B-Tech Audio Video Mounts.

10 Greg Street, #108, Sparks, NV 89431, USA
Tel: (1)800 975 5812 Fax: (1)800 592 2876
Email: info@btechavmounts.com

Asia Pacific

B-Tech International (Hong Kong) Ltd.

23rd Floor, Manulife Tower, North Point, HK
Tel: (+852) 2556 7337 Fax: (+852) 2556 7321
Email: info@btechavmounts.com.hk

www.btechavmounts.com

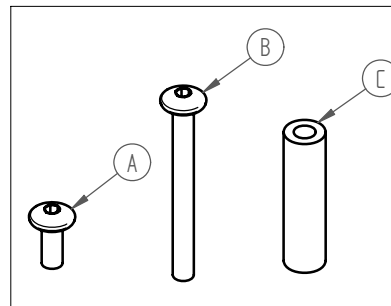
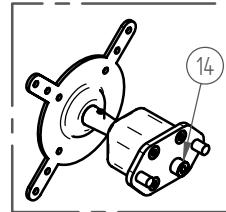
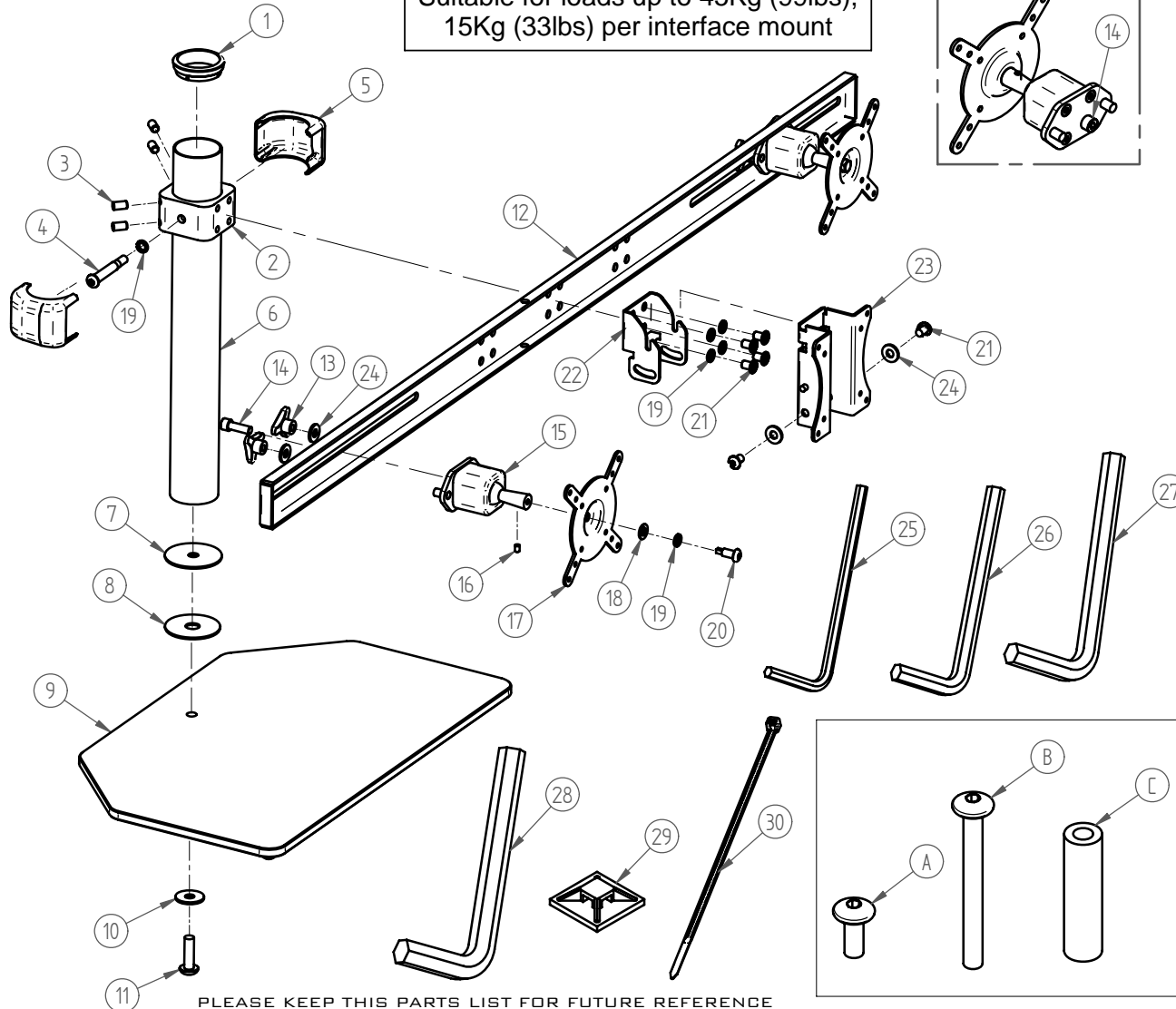
©COPYRIGHT 2008.



BT7333

PARTS LIST

Suitable for loads up to 45Kg (99lbs),
15Kg (33lbs) per interface mount



PARTS LIST

No	PART NAME	QTY
1	50mm POLE CAP (BT7057)	1
2	ACCESSORY COLLAR (BT7053)	1
3	M8 X 15 GRUB SCREW	4
4	M8 X 65 SAFETY BOLT	1
5	ACCESSORY COLLAR COVER (BT7053)	2
6	50MM POLE 0.4M LENGTH (BT7325)	1
7	WASHER (STEEL) OD60 ID10.5 T2	1
8	FOAM PAD (SELF ADHESIVE)	1
9	GLASS BASE WITH FEET (BT7322)	1
10	WASHER (PLASTIC) OD30 ID10 T2.3	1
11	M10 X 35 ALLEN SCREW	1
12	HORIZONTAL RAIL FOR 3 SCREENS (BT7321)	1
13	HANDWHEEL	4
14	M8 X 25 CAP HEAD SCREW	2
15	AVIBALL ASSEMBLY	2
16	M5 X 6 GRUB SCREW	2
17	INTERFACE PLATE (BT7588)	2
18	WASHER (STEEL) M8 OD16 T1.6	2
19	SPRING WASHER M8	7
20	M8 X 23 SQUARE END ALLEN SCREW	2
21	M8 X 12 SECURITY ALLEN SCREW	6
22	TILT PLATE	1
23	INTERFACE PLATE (BT7511)	1
24	WASHER (PLASTIC) M8 OD19 T2.3	6
25	2.5MM ALLEN KEY (FOR PARTS 16, A & B)	1
26	4MM ALLEN KEY (FOR PART 3)	1
27	5MM SECURITY ALLEN KEY (FOR PARTS 4, 20 & 21)	1
28	6MM ALLEN KEY (FOR PART 11 & 14)	1
29	CABLE TIE MOUNT (ADHESIVE)	4
30	CABLE TIE	4

FIXING KIT

REF	PART NAME	QTY
A	M4 X 12 ALLEN SCREW (TO FIX SCREENS)	12
B	M4 X 40 ALLEN SCREW (TO FIX SCREEN)	4
C	SPACER OD13 ID5.5 T30 (FOR PART B)	4

PLEASE KEEP THIS PARTS LIST FOR FUTURE REFERENCE

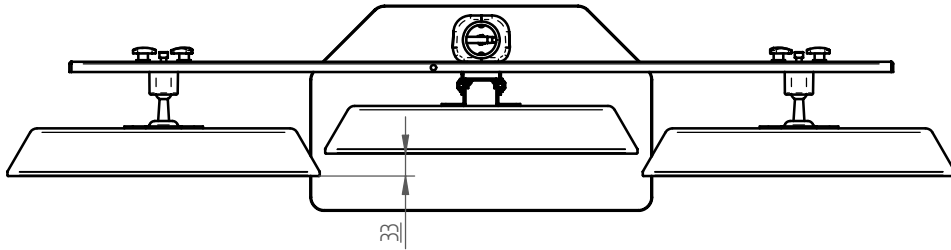


BT7333

TYPICAL CONFIGURATIONS

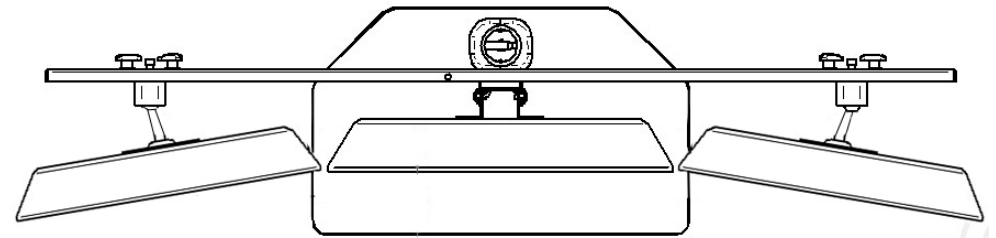
1. Offset central monitor.

Central monitor will be offset 33mm from the left and right monitors. Use M4 X 12 Allen Screws provided (**part A**).



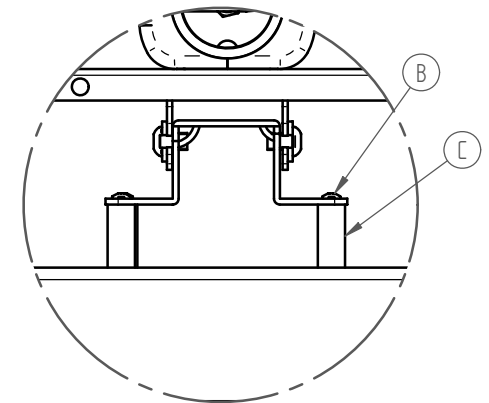
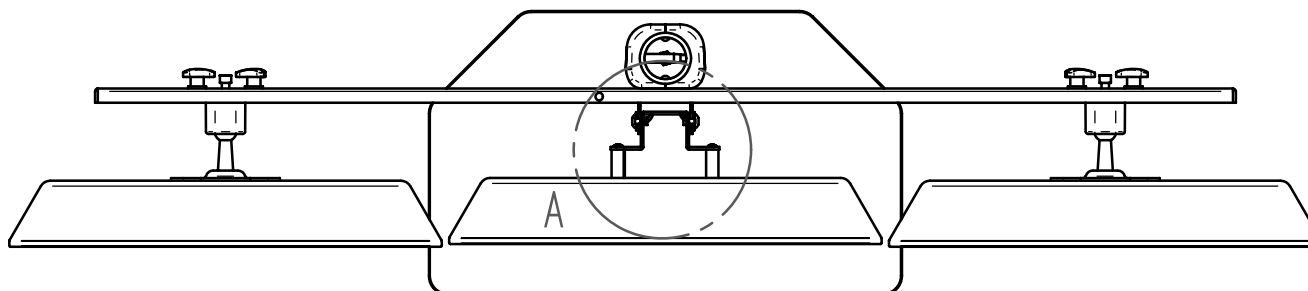
2. Swivel left and right monitors.

Adjust the angle of the AVIball to swivel the left and right monitors. Use M4 X 12 Allen Screws provided (**part A**).



3. In line monitors.

Spacers provided (**part C**) can be used with the M4 X 40 Allen Screws (**part B**) to bring the central monitor in line with the two monitors on either side.



DETAIL A



BT7333

INSTALLATION INSTRUCTIONS (1)

READ FIRST

-Upon opening, check all the parts are present as shown in the parts list.

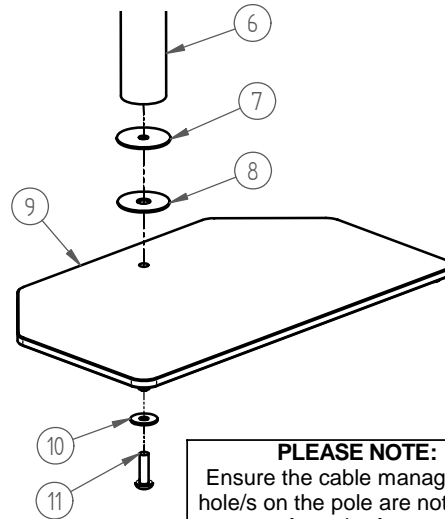
-It is recommended this installation is to be carried out by two persons.

-It is important that all mounting screws are used where possible.

1. Attach the pole to the glass base

Use the Allen screw (**part 11**) with the washer (**part 10**) to fix the pole (**part 6**) to the glass base (**part 9**).

Use the 6mm Allen key (**part 28**) to tighten the screw.

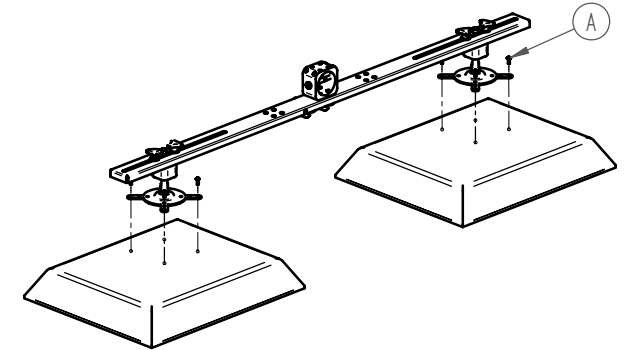


PLEASE NOTE:
Ensure the cable management hole/s on the pole are not visible from the front.

2. Mount flat screens to the 2 AViBall interface mounts

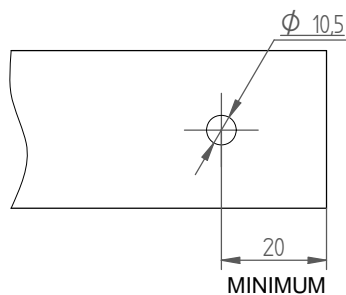
Cover work surface and place screens face down.

Fix the screens to the AViBall mounts using the M4 x 12 Allen screws provided (**part A**).



Care must be taken to ensure that a suitable and secure screen fixing is made. If in any doubt, consult a suitably qualified person or an AV equipment installer.

3. Drill a safety bolt hole (optional)

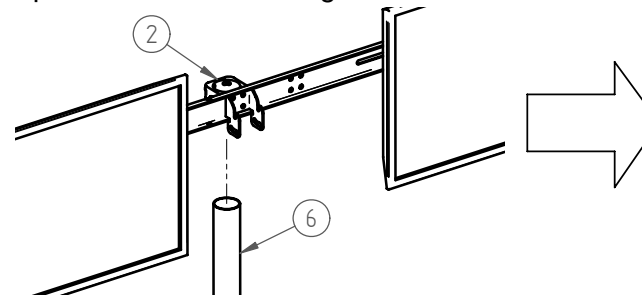


It is recommended but not essential that a safety bolt is set in place before any AV equipment is fitted.

In order to use the provided safety bolts, holes have to be drilled diametrically opposite each other so that the bolt can pass straight through. The centre of the hole must be a minimum of 20mm from the end of the pole.

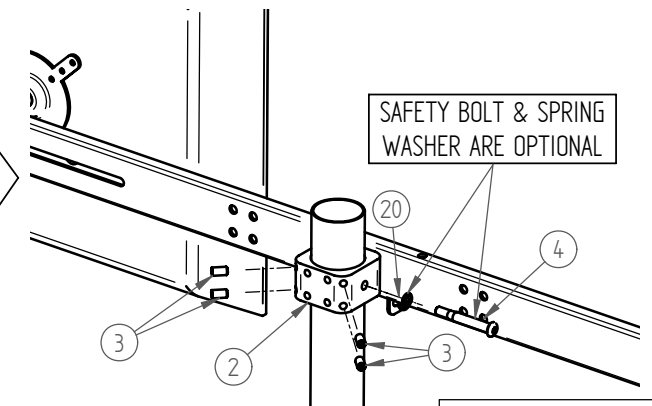
4. Mount the rail onto the pole

Fit the collar (**part 2**) over the pole (**part 6**) and position at desired height.



Please note: this may require more than one person.

To fix the position of the collar, use the 4mm Allen key (**part 26**) to tighten the grub screws (**part 3**).



CONTINUED...



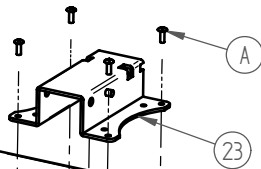
BT7333

INSTALLATION INSTRUCTIONS (2)

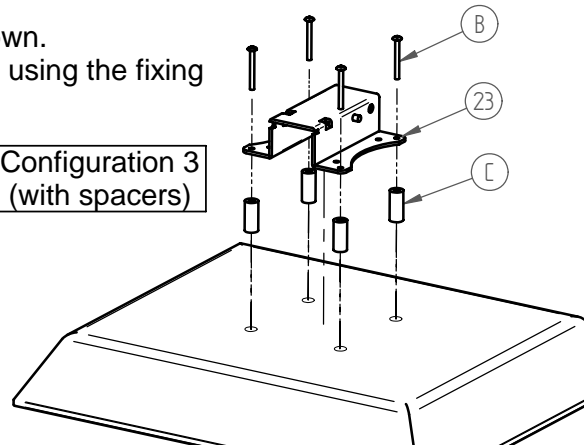
5. Select screen configuration (refer to page 3) and mount centre interface bracket to flat screen

Cover work surface and place flat screen face down. Fix the centre interface (**part 23**) to the flat screen using the fixing kit provided.

Configuration 1 & 2 (without spacers)



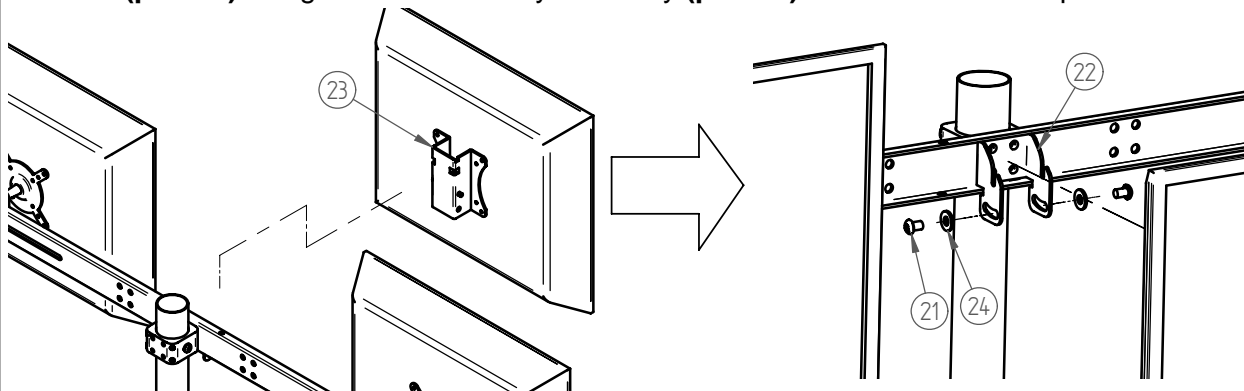
Configuration 3 (with spacers)



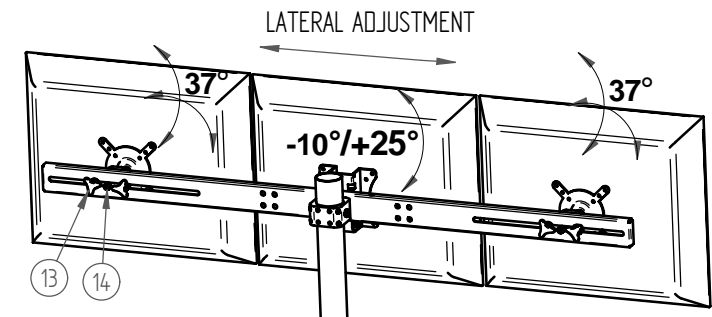
Care must be taken to ensure that a suitable and secure screen fixing is made. If in any doubt, consult a suitably qualified person or an AV equipment installer.

6. Hook the centre screen onto the mounting rail

Hook the centre interface (**part 23**) onto the mounting rail. Tighten the M8 x 12 security Allen screws (**part 21**) using the 5mm security Allen key (**part 27**) to fix the screen tilt position.



7. Adjust screen alignment, tilt and swivel to preferred setup



To slide the screens along the mounting rail, loosen the hand wheels (**part 13**), slide screens into position and then retighten the handwheels.

To change the tilt and swivel angles, adjust the M8 X 25 cap head screw (**part 14**) on the AviBall mounts using the 6mm Allen key (**part 28**).

AViBall provides easy adjustment of 37° in any direction and 360° swivel at mount. Centre interface tilts -10°/+25°.

8. Fit the collar covers and pole end ring

Store the 6mm Allen key (**part 28**) in the hole provided on the mounting rail.

