

## Back to Back Flat Screen Ceiling Mount with Tilt Designed for screens up to 50"

 For more information please visit [www.btechavmounts.com/BT8428](http://www.btechavmounts.com/BT8428)

**BT8428**



### BT8428

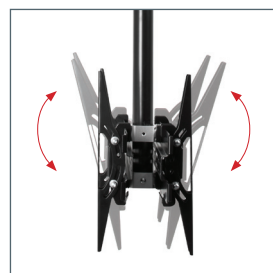
#### Back to Back Flat Screen Ceiling Mount with Tilt

Designed for two screens up to  
50" (127cm) / 35kg (77lbs) per screen

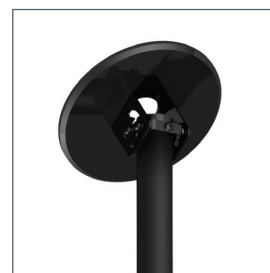
- Fits screens with mounting patterns up to H: 465 (18.3") x V: 400mm (15.7") including screens using VESA® fixings up to 400 x 400mm
- Easy tilt adjustment of interface +/-18°
- Unique 'Torsion-Tilt' mechanism
- Integrated cable management
- Pole can be tilted up to 70° for mounting on angled ceilings
- Supplied with safety bolt and Locking bars for a secure installation
- Cover plate included for a smarter installation
- Simple 'hook-on' installation with all mounting hardware included
- Available in three lengths  
**BT8428-100:**  
 Ceiling drop to centre of mount: 952mm (37.5")  
**BT8428-150:**  
 Ceiling drop to centre of mount: 1452mm (57.1")  
**BT8428-200:**  
 Ceiling drop to centre of mount: 1952mm (76.9")
- Available with stylish Black or Chrome Poles



Supplied with safety bolt for a secure installation



Easy tilt adjustment +/-18°



Ceiling mount tilt function allows for installation on angled ceilings

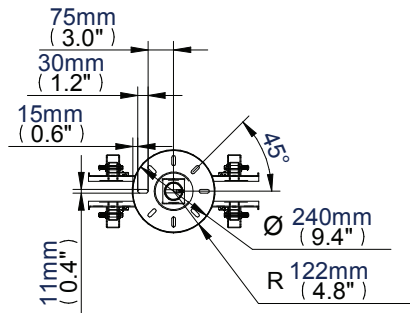


Cover plate included for a smarter installation

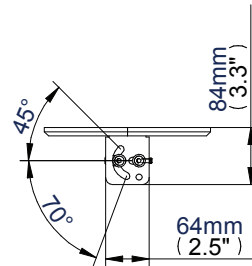
### Back to Back Flat Screen Ceiling Mount with Tilt Designed for screens up to 50"

For more information please visit [www.btechavmounts.com/BT8428](http://www.btechavmounts.com/BT8428)

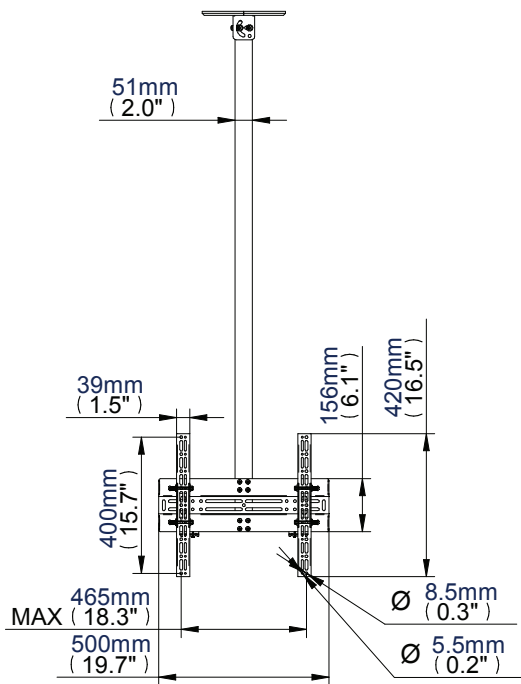
**BT8428**



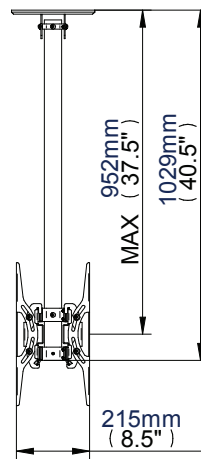
Ceiling Plate



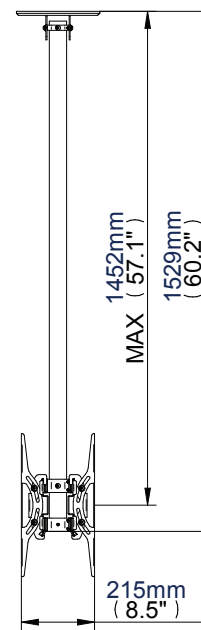
Ceiling Plate



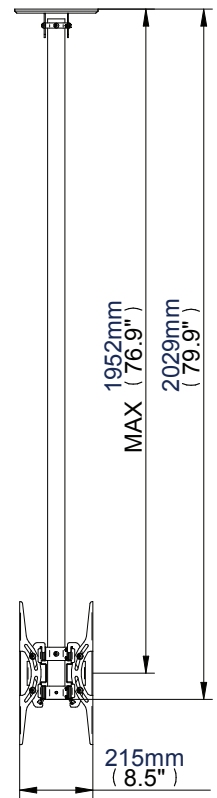
Front View



Side View - 1m Pole



Side View - 1.5m Pole



Side View - 2m Pole

Product Code:	Colour:	Order Ref:	EAN Code:
BT8428-100	Black	BT8428-100/B	5019318551413
BT8428-150	Black	BT8428-150/B	5019318551420
BT8428-200	Black	BT8428-200/B	5019318551437

**This information is intended as a guide only and reflects the current specification at the time of print.  
B-Tech accepts no liability for the accuracy of the information contained in this document.**