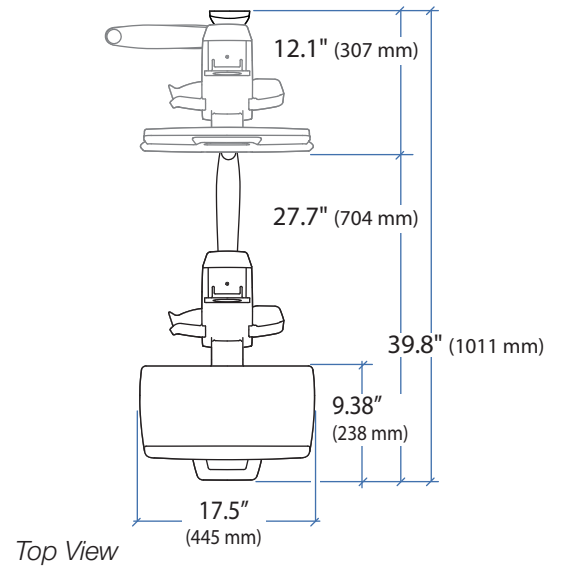
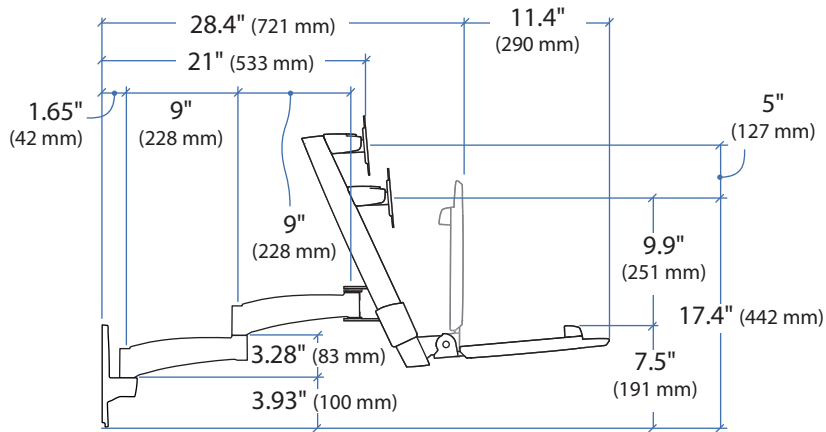


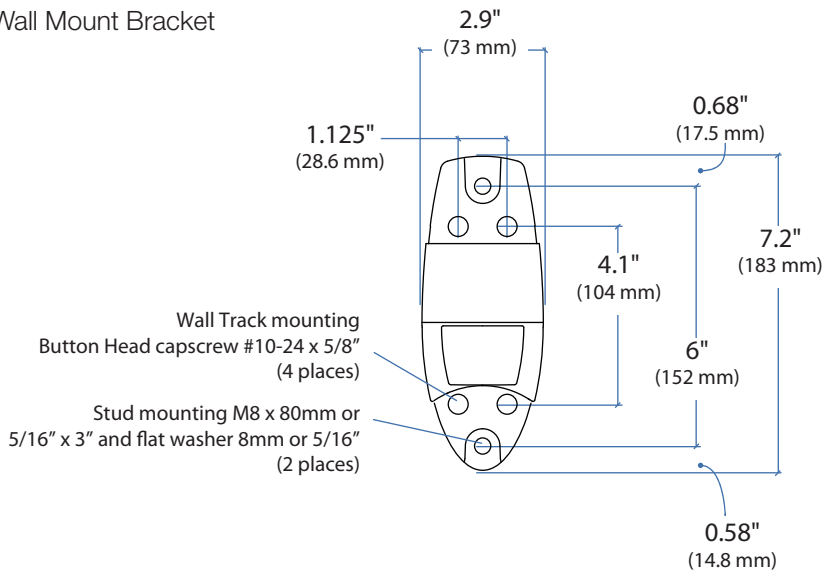
# Ergotron® 200 Series

## Dimensional Illustrations

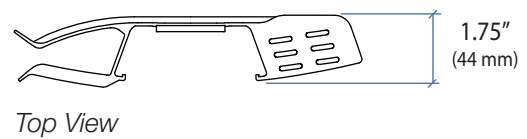
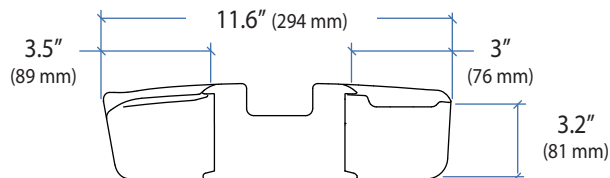
### Combo Arm



### Wall Mount Bracket



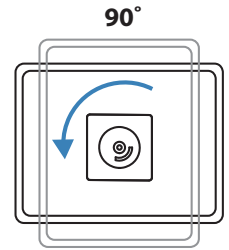
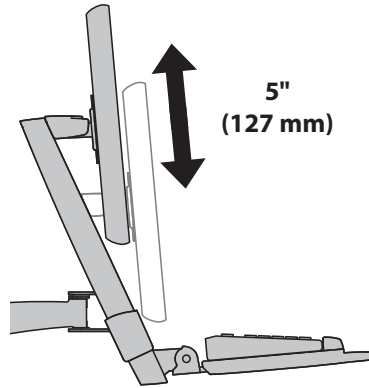
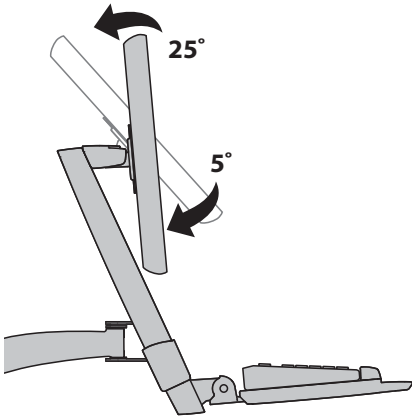
### Mouse/Scanner Holder



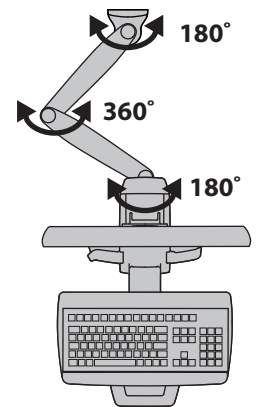
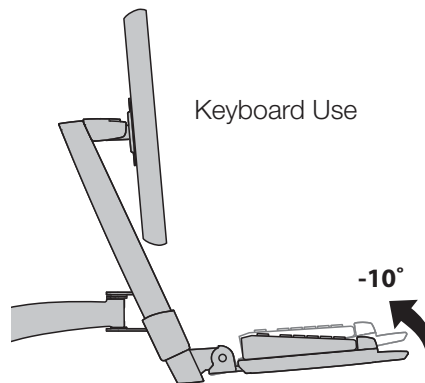
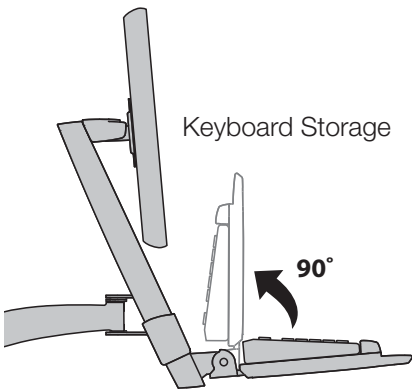
# Ergotron® 200 Series

## Combo Arm

### Range of Motion



Front View



Top View

### Maximum Weight Capacity

