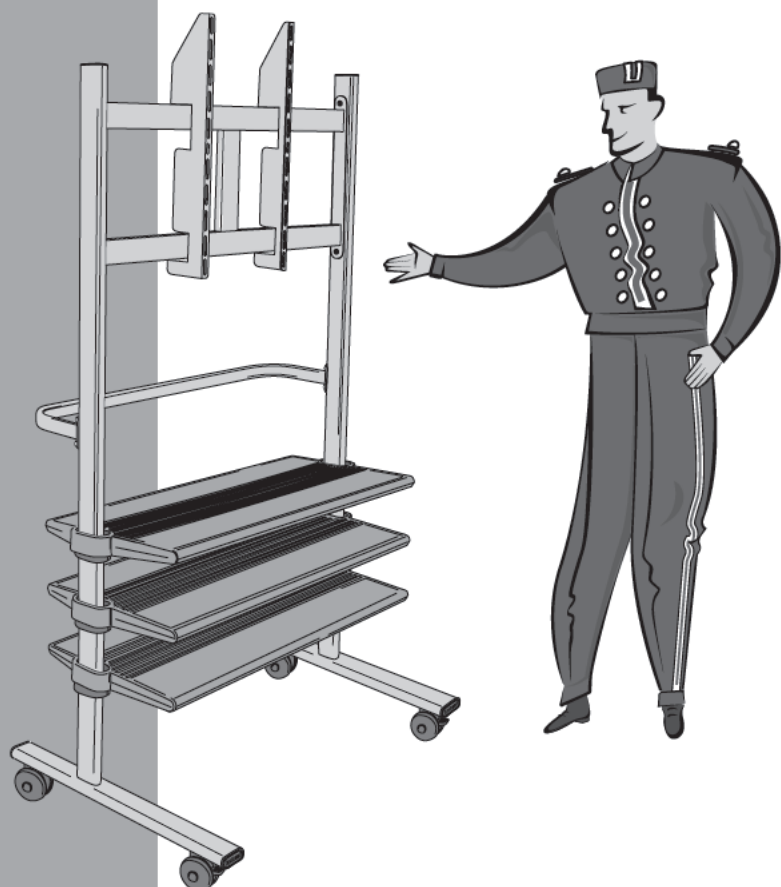


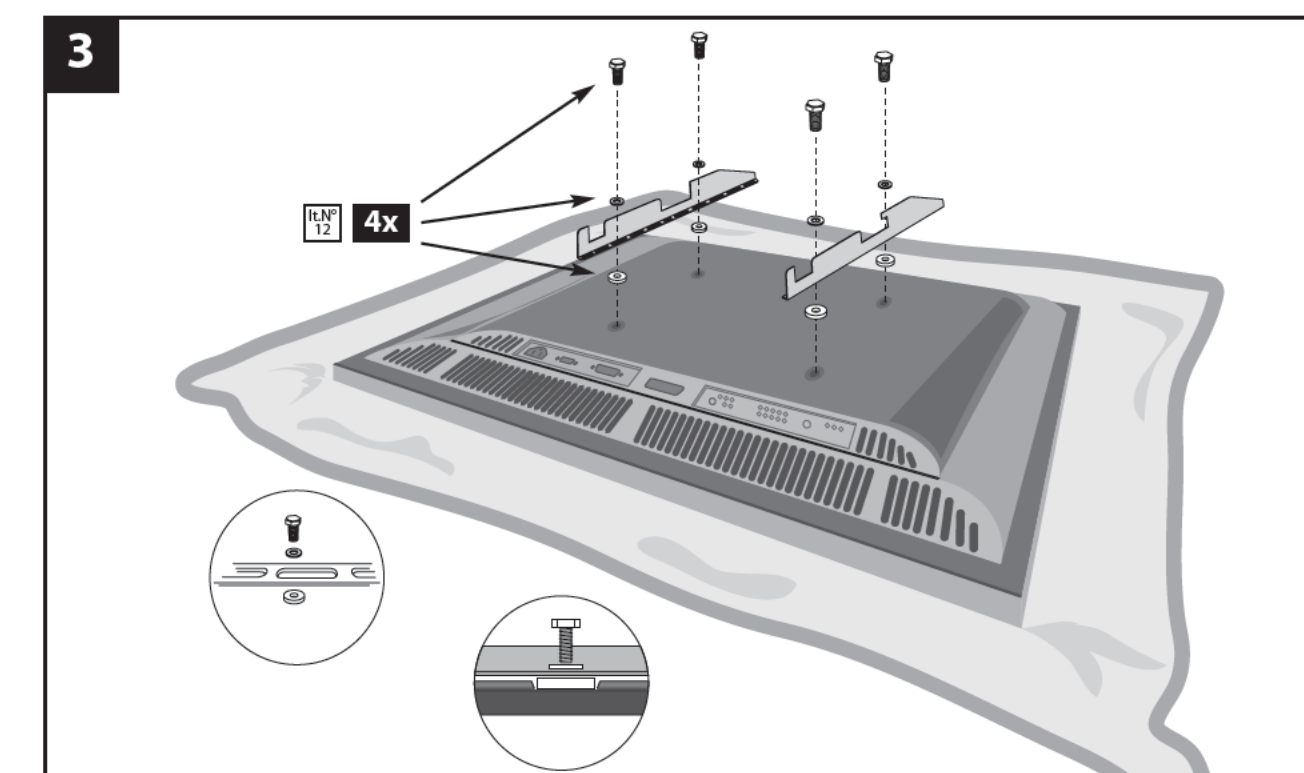
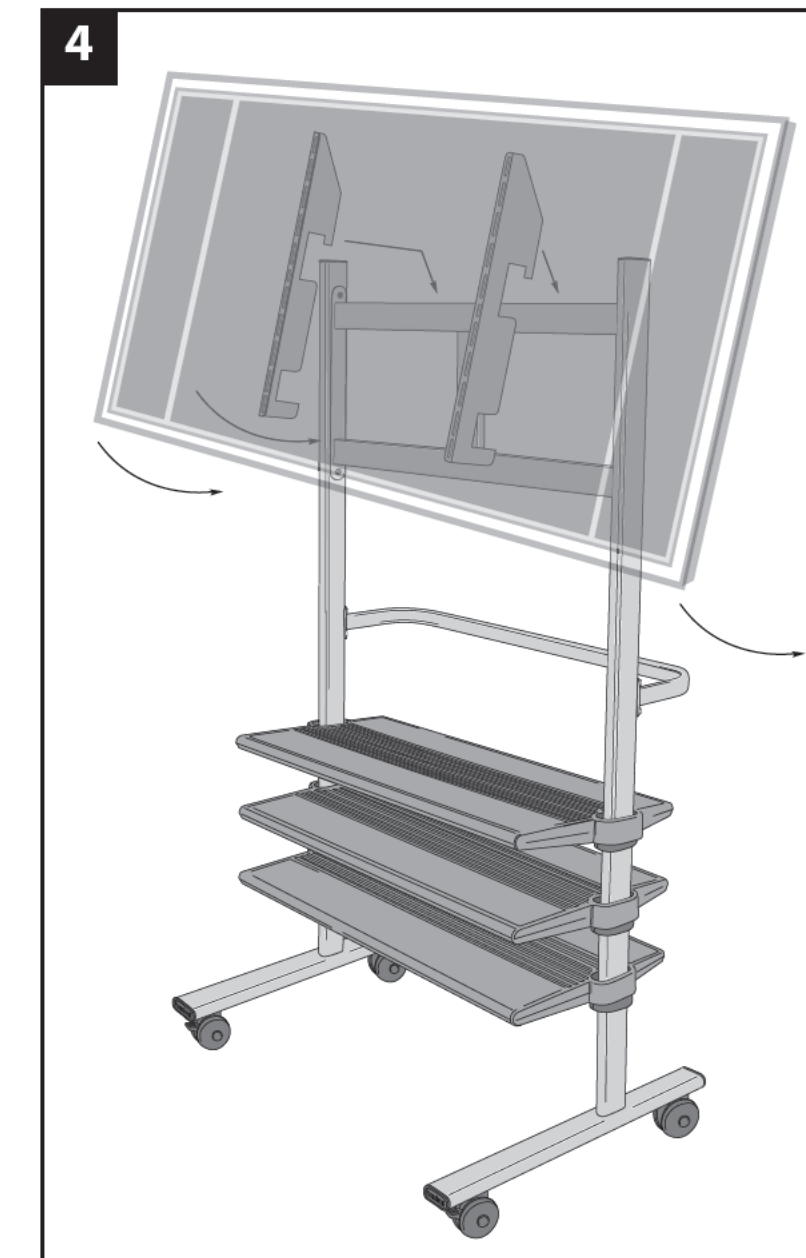
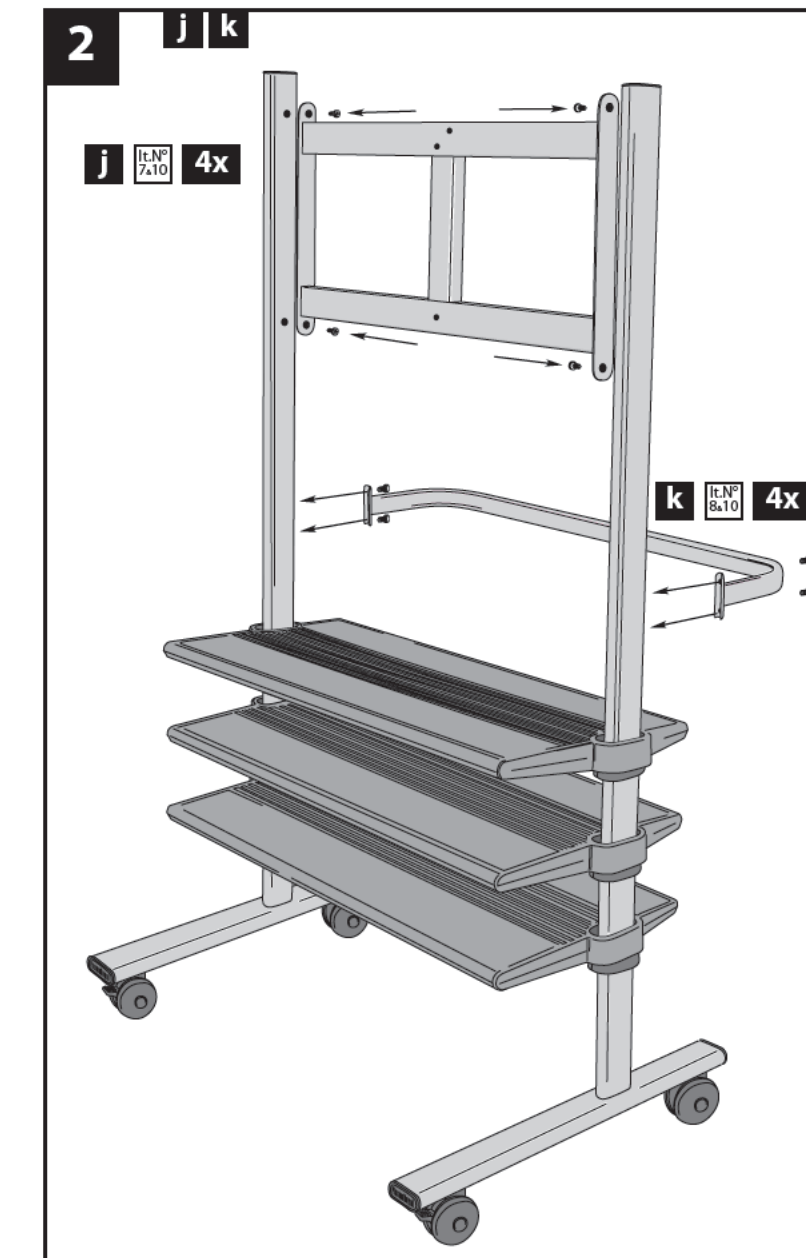
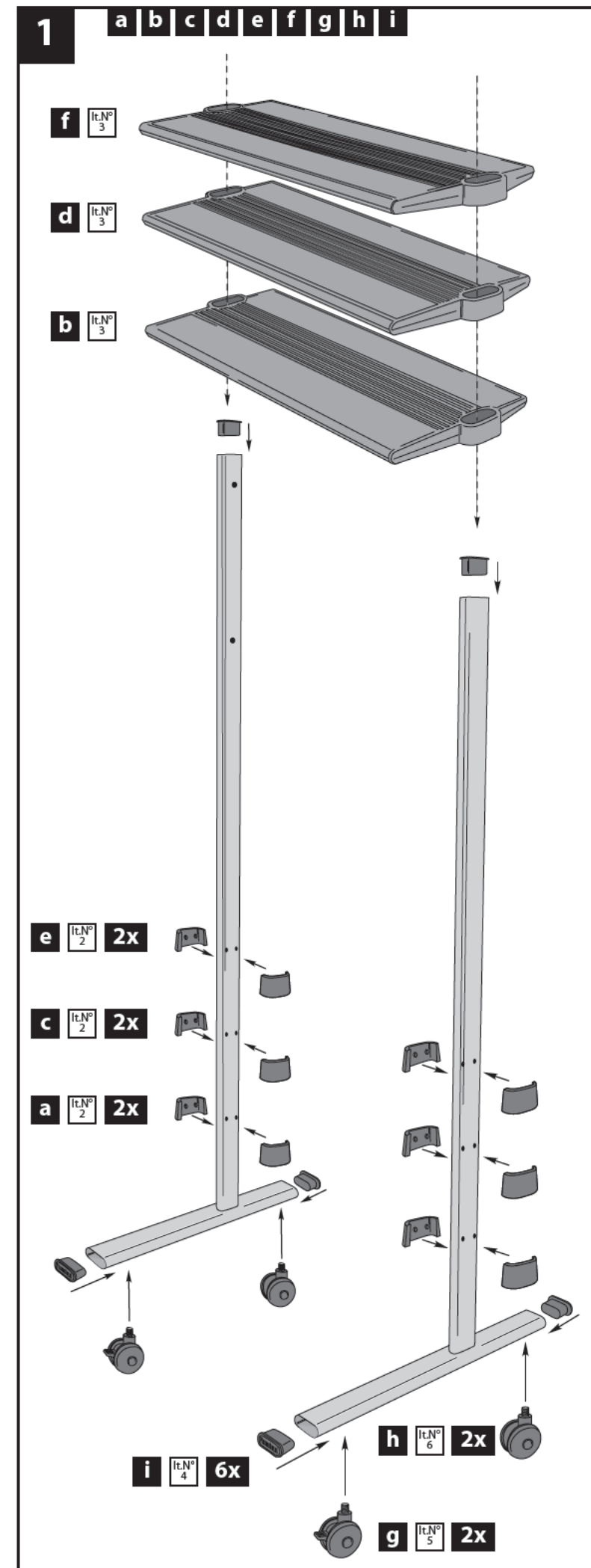
PB175 & PB150



universal trolley/stand

Mounting instructions
Montageanleitung
Instructions de montage
Montagevoorschrift

| PB175 universal trolley/stand | | |
|---|--|------------------------------------|
| Contents — Inhalt — Contenu — Inhoud | | |
| Item N° | | Number - Anzahl Nombre - Aantal |
| 1 | | 2 (1 x L) (1 x R) |
| 2 | | 12 |
| 3 | | 3 |
| 4 | | 6 |
| 5 | | 2 |
| 6 | | 2 |
| 7 | | 1 |
| 8 | | 1 |
| 9 | | 2 (1 x L) (1 x R) |
| 10 | | 8 |
| 11 | | 1 |
| 12 | | 4 x |



© www.PlasmaBoy.nl
 © www.PlasmaBoy.be